

EKO-LED

polski producent oświetlenia LED

ML-560-10-96D-CC-4014-AL

EKO-LED

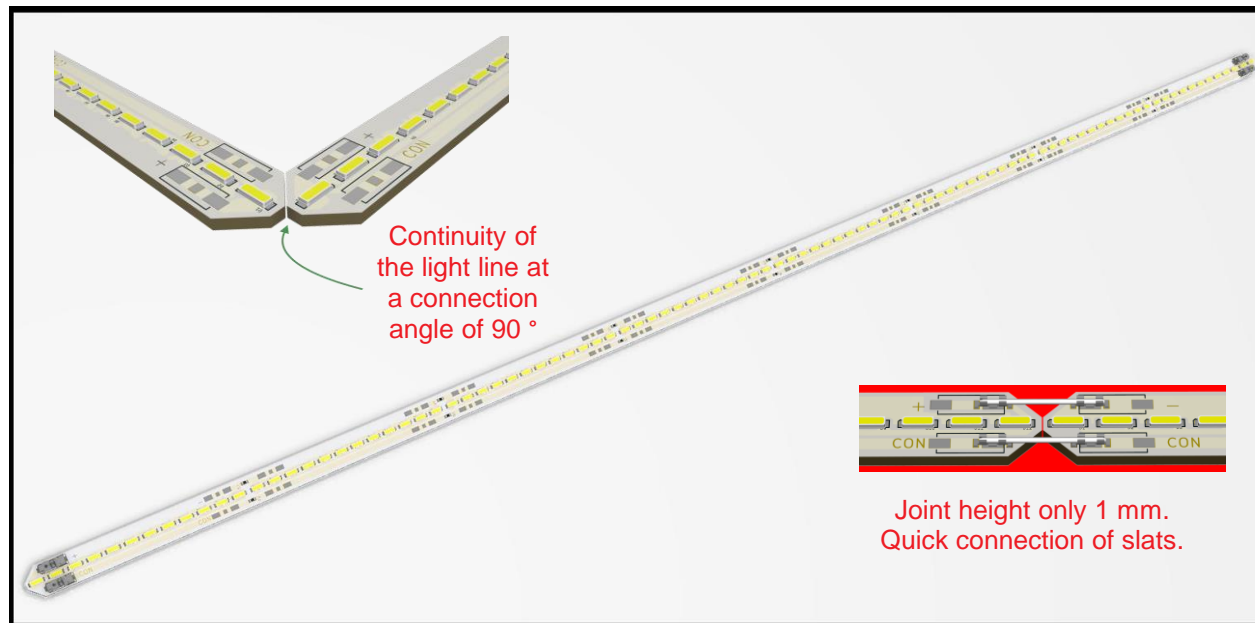
Brzeziński, Kozicki sp.j.

Osiedlowa 60
05-509 Józefostaw

tel. 508-561-379
NIP 123-125-16-65

www.eko-led.com.pl

Basic parameters



Technical specifications:

Control current[mA]	87-350
Voltage drop[V]	24
Power[W]	2-8,4
Luminous flux[lm]	300-1280
LED	4014
Beam angle	120
LED quantity[pcs]	24-96
Temperature range[K]	2700-6500
LED line dimensions [mm]	560x10
LED line length [mm]	70
Thickness[mm]	1
Product life[h]	50000
IP	IP20
CRI	>80

Parameters ML-560-10-96D-CC-4014-AL-96-840-000



Illustration drawing

LED quantity[pcs]	96		
Control current[mA]	350	175	100
Voltage drop[V]	24		
Power [W]	8,4	4,2	2,4
Luminous flux [lm]	1280	612	300
LED line length[mm]	560		
LED line width[mm]	10		
Number of modules[pcs]	8		
Division [mm]	70		
LED louvre[mm]	5,83		
Number of LEDs on the module	12		

Parameters ML-560-10-96D-CC-4014-AL-48-840-000



Illustration drawing

LED quantity[pcs]	48	
Control current[mA]	175	100
Voltage drop[V]	24	
Power [W]	4,2	2,4
Luminous flux [lm]	640	360
LED line length[mm]	560	
LED line width [mm]	10	
Number of modules[pcs]	8	
Division [mm]	70	
LED louvre[mm]	11,67	
Number of LEDs on the module	6	

Parameters ML-560-10-96D-CC-4014-AL-32-840-000

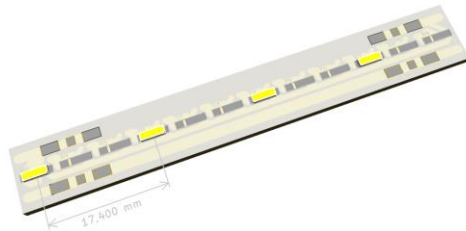


Illustration drawing

LED quantity[pcs]	32	
Control current[mA]	100	87
Voltage drop[V]	24	
Power [W]	2,4	2
Luminous flux [lm]	384	320
LED line length[mm]	560	
LED line width[mm]	10	
Number of modules[pcs]	8	
Division [mm]	70	
LED louvre[mm]	17,5	
Number of LEDs on the module	4	

Parameters ML-560-10-96D-CC-4014-AL-24-840-000

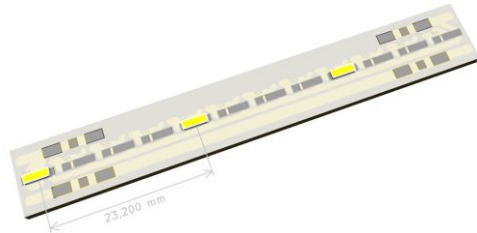
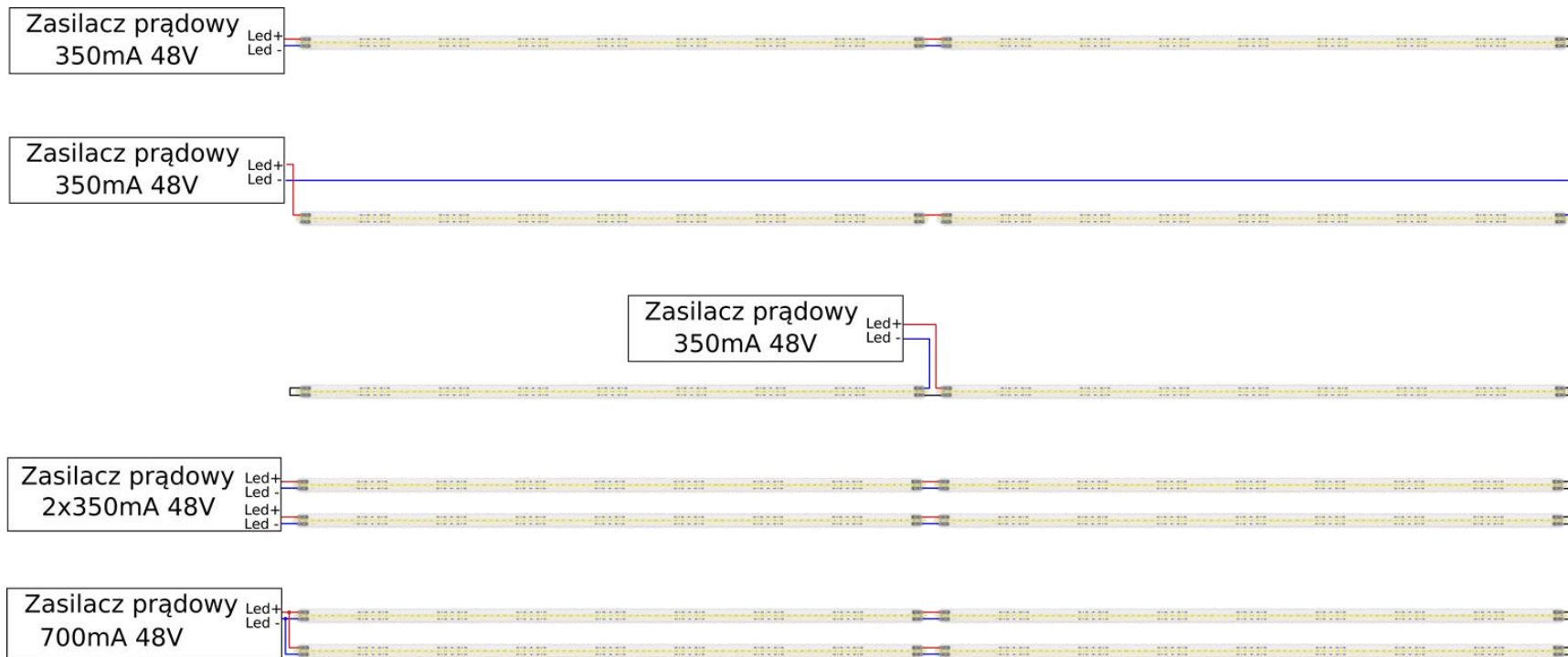


Illustration drawing

LED quantity[pcs]	24	
Control current[mA]	100	87
Voltage drop[V]	24	
Power [W]	2,4	2
Luminous flux [lm]	337,5	319,8
LED line length[mm]	560	
LED line width[mm]	10	
Number of modules[pcs]	8	
Division [mm]	70	
LED louvre[mm]	23,33	
Number of LEDs on the module	3	

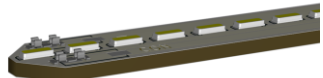
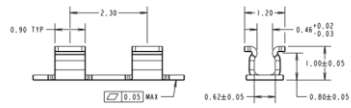
Connection diagrams

Zasilacz prądowy = power supply

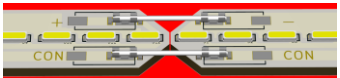



Connections:

S8071-46R

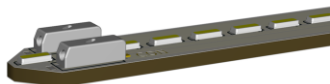
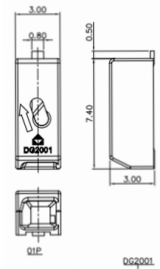



S0x-46

PART No.	DIM 'A'
S07-46	23.00
S08-46	15.00

DG2001-3.0-01P-1Y-01A-H

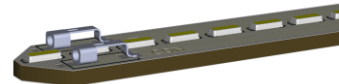
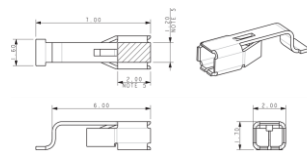



1. Pollution degree	2	2	3
Overvoltage category	II	III	III
Rate impulse voltage(KV)	2.5KV	2.5KV	2.5KV
Rate voltage(V)	160V	160V	32V
Rate current(A)	3A		

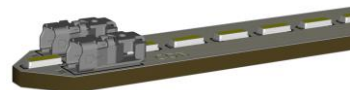
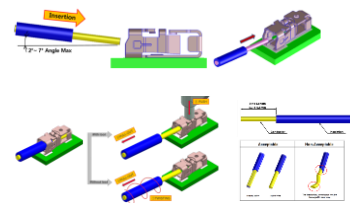
2. Wire range : 0.14~0.34mm²(SOL)

70-9296-001-017-006

12-28 AWG

2038638103

Wire Range AWG No.	Number of Conductors / Diameter of a conductors (Cross-sectional area of conductors / mm ²)	Insulation Diameter (mm)	Conductor Type
24	1 / 0.51 (0.2mm ²)	1.35	Solid
22	1 / 0.64(0.3mm ²)	1.48	
20	1 / 0.81(0.5mm ²)	1.65	
18	1 / 1.02(0.8mm ²)	1.86	
22	17/0.76 (Reference) After soldering : Ø 0.9mm Max.	1.60	Strand
20	21/0.95 (Reference) After soldering : Ø 1.1mm Max	1.78	

Dimensions



Product symbol:

ML-560-10-96D-CC-4014-AL-

LED quantity:

96 – 96 LEDs on module, louvre 5,83mm
48 – 48 LEDs on module, louvre 11,67mm
32 – 32 LEDs on module, louvre 17,5mm
24 – 24 LEDs on module, louvre 23,33mm

Color rendering:

8 – CRI > 80
9 – CRI > 90

Number of connectors/model:

000 – lack – solder connection
xx – number of connections
xxD – connector DG2001
xxH – connector SR8071-46R
xxA – connector 70-9296-001-017-006
xxM – connector 2038638103
np.:
04D – 4x DG2001 at the ends

White temperature:

27 – 2700K
30 – 3000K
40 – 4000K
65 – 6500K
90 – 9000K
10 – 10000K
12 – 12000K

Application examples

- 10mm low LED profiles – uniform light
- building facade lighting
- lamps for illuminating pictures
- store shelves lighting
- decorative illumination of building walls
- lighting of building cornices
- edge lighting
- linear lighting